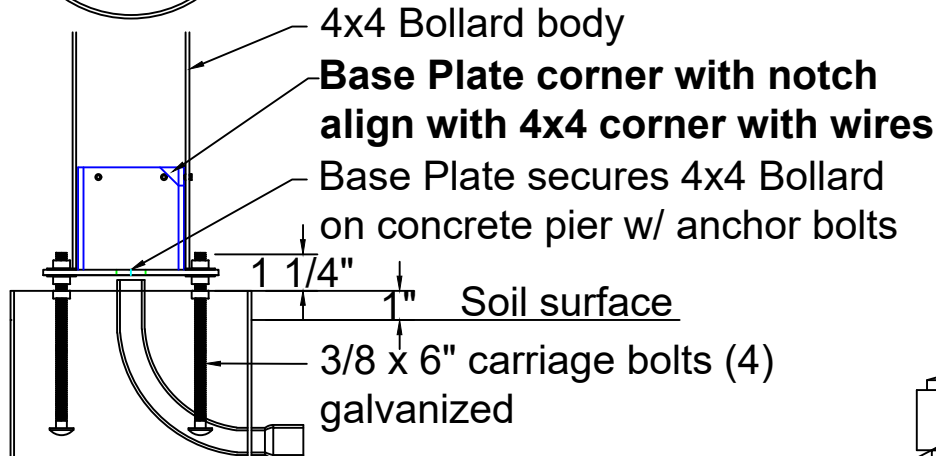
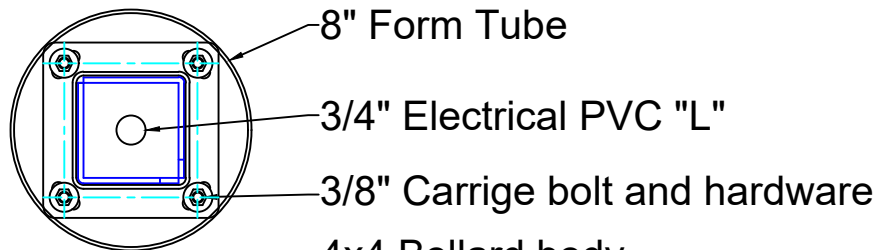


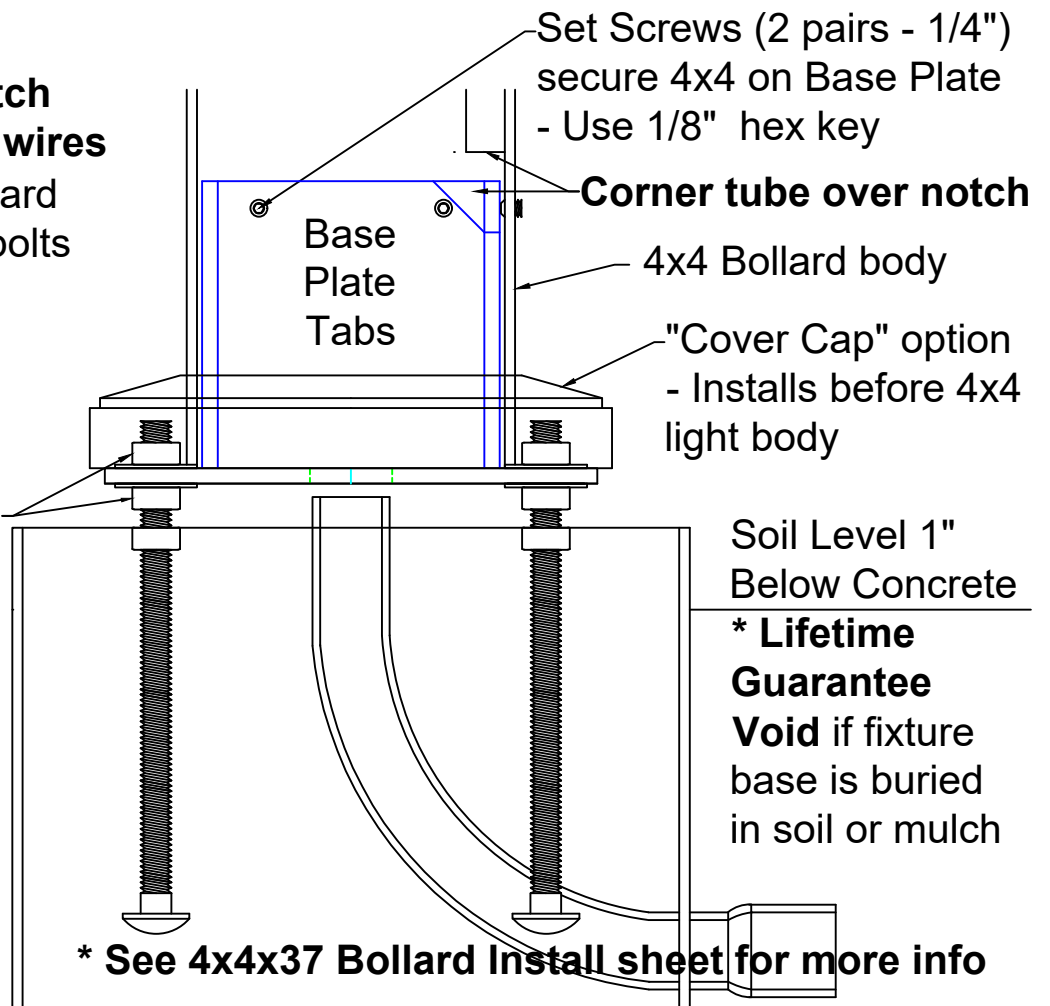
4x4x37 Bollard Concrete Pier  
Looking down

**Attraction Lights**  
[www.AttractionLights.com](http://www.AttractionLights.com)  
[info@attractionlights.com](mailto:info@attractionlights.com)  
 Questions: 970-316-0019



Concrete  
8" Pier -  
Depth  
Varies with  
local  
conditions  
2' Average

**Adjust 3/8" nuts & washers**  
w/ 9/16" wrench to level base  
plate on bolts.  
 - Check with a short level  
between washers on nuts.  
 - If the base plate is level, the  
light fixture should be plumb.  
 - If the light leans, change set  
screw tightening sequece, or  
adjust base plate level.



\* See 4x4x37 Bollard Install sheet for more info

Soil Level 1"  
Below Concrete  
**\* Lifetime  
Guarantee  
Void if fixture  
base is buried  
in soil or mulch**