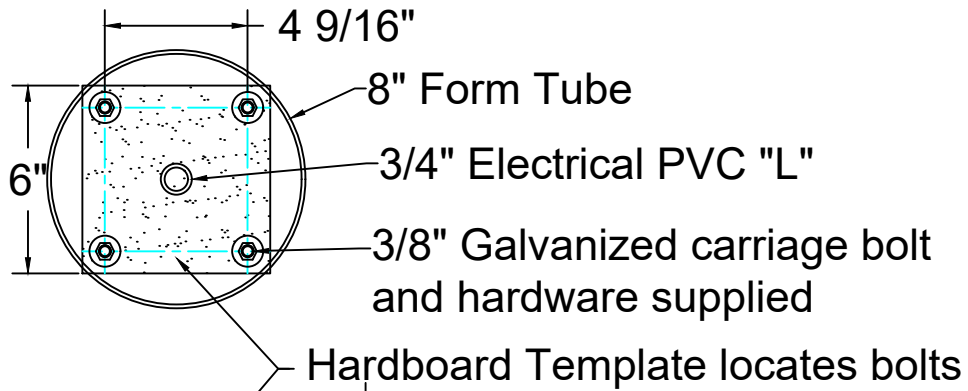


4x4x37 Bollard Concrete Pier  
- Looking down



# Attraction Lights

[www.AttractionLights.com](http://www.AttractionLights.com)

[info@attractionlights.com](mailto:info@attractionlights.com)

Questions: 970-316-0019

