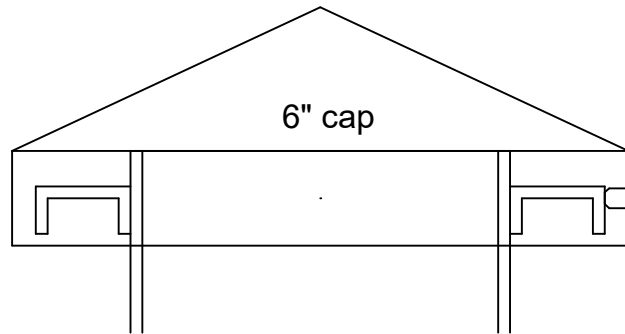


# Top Details: 4x4x37" Bollard, 12 Volt

**Attraction Lights** - [www.AttractionLights.com](http://www.AttractionLights.com)

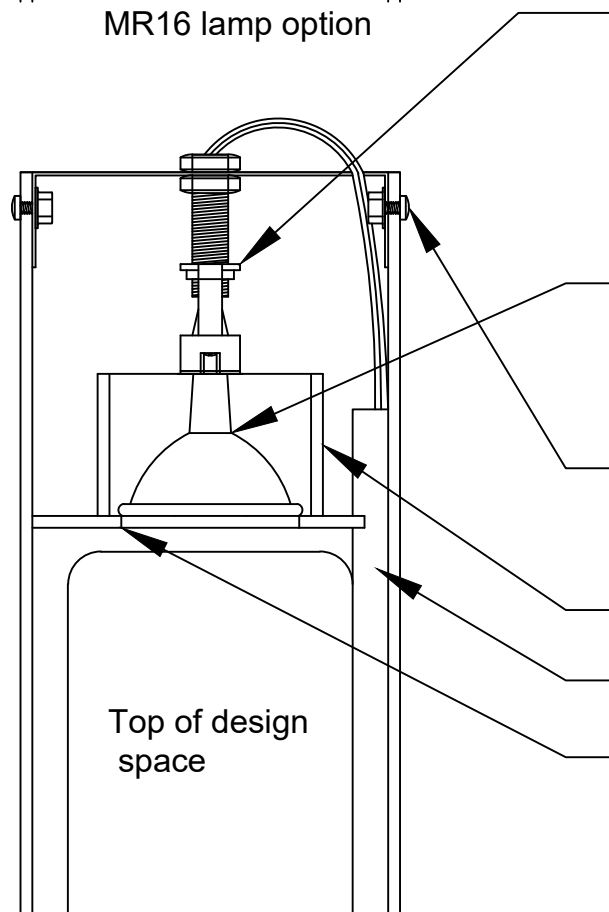
[info@attractionlights.com](mailto:info@attractionlights.com)

Questions? Call: 970-316-0019



- 1/4 x 3/8" Set Screw - 1 or 2 per cap
- 1/8" Hex Key fits
- Secures cap on blocking

MR16 lamp option



Socket assembly height adjustable on lamp rod and mounting bracket for ideal lamp position

### Socket (lamp) adjustment options:

- Rotate threaded brass lamp rod holding socket
- Move brass nuts on lamp rod and re-secure
- Fine tune by bending mounting bracket

**LED MR16 -12 volt standard** (Any bipin lamp fits socket)

- Position lamp on top enclosure plate for max light spread, position lamp higher to reduce glare
- Use recommended led lamps for best shadows

#10 x 3/8" Philips Screw with Flange Nut

- Philips screw driver fits
- Secures mounting strap with socket in top of 4x4 Fixture

2" pipe encircles MR16 lamp for lamp shielding

Corner pipe routes wires to base for connection to power supply

Top Enclosure Plate, welded in place

\*See Installation plan for full 4x4 fixture view

4x4 Series: 4x4x37" Bollard