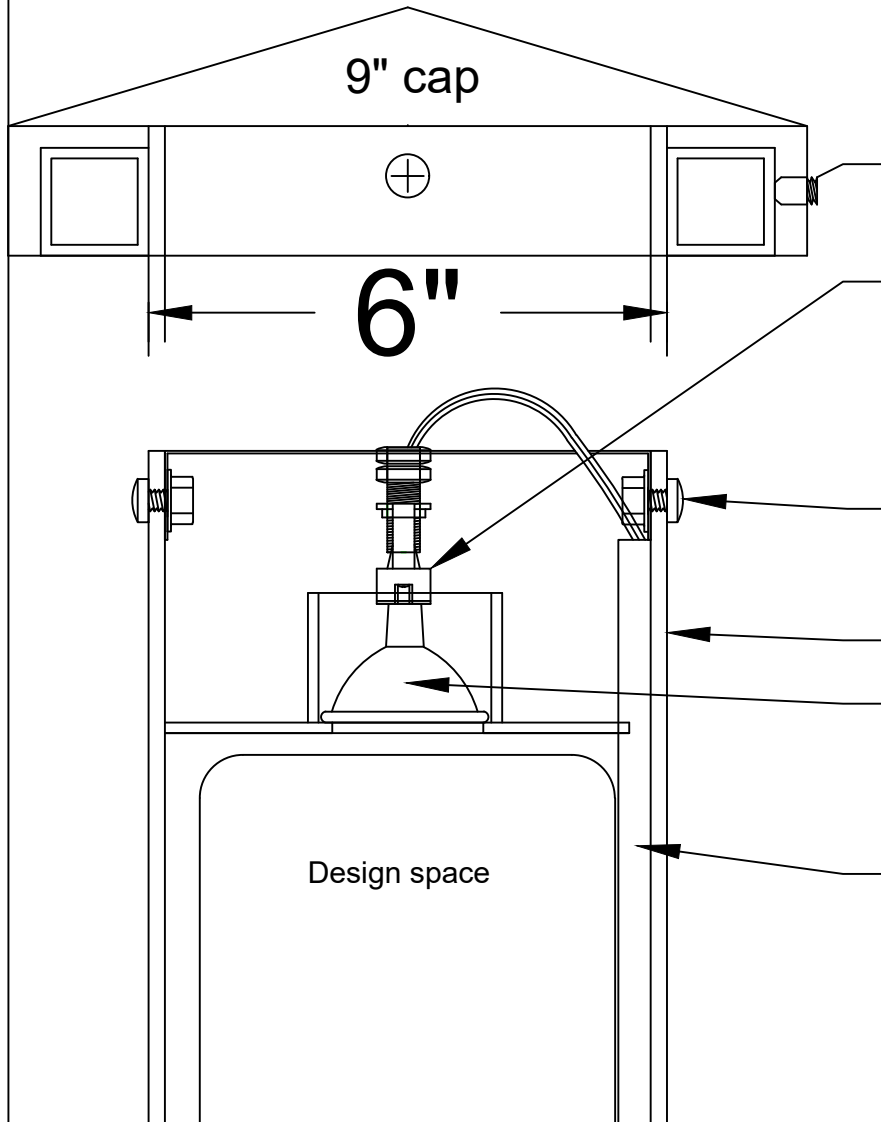


Top Details: 6x6x26", 12 Volt



Attraction Lights - www.AttractionLights.com

info@attractionlights.com

Questions? Call: 970-316-0019

- Parts Bags items underlined

5/16 x 1/2" Set Screw - 1 per cap

- 5/32" Hex Key fits

- Secures cap on 6x6 blocking

Socket Assembly with lamp rod and mounting strap - 1 per 6x6

- Bipin Socket height adjustable on brass rod and stainless strap

- Socket holds bipin or MR16 lamps - 12 VOLT

- Adjust lamp height to minimize glare and maximize light spread

- Single diode LED lamps produce best shadow patterns

- Consider future lamp change - leave extra wire in fixture top

1/4" Philips screws and flange nut - screws pass thru 6x6 hole

thread into flange nuts to secure socket mounting strap

- Long blade Philips screw driver best

6x6 light body encloses lamp for shielding

ALTLed MR16, 5 watt shown

- Produces excellent shadow patterns

See website's About page - LED Lamps for all options

- Also consider 2w bipin

Corner pipe routes wires to base for connection to power supply

*See Installation sheet for full 6x6 fixture view

6x6 Series: 6x6x26" Mini Bollard