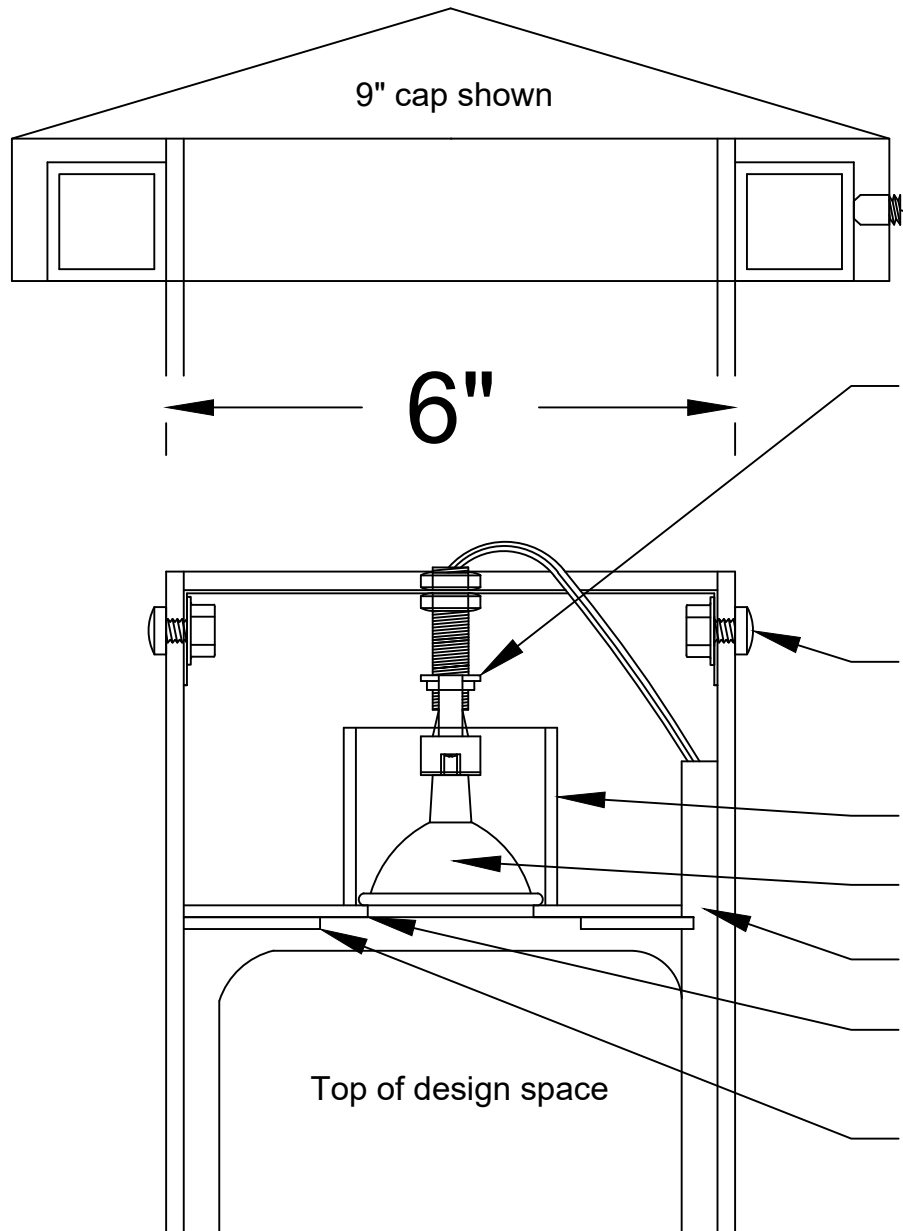


6x6x42" 34" & 26" Bollard - Top Details



Attraction Lights - www.AttractionLights.com
info@attractionlights.com
Questions? Call: 970-316-0019
MR16 Adapter Plate for MR16 Lamp - 12 Volt
*See 6x6x42" Bollard Install sheet for full view

- 5/16 x 1/2" Set Screws (2 per cap)
- 5/32" Hex Key fits
- Secures cap on blocking for 6x6 fixture

- Socket Assembly with lamp rod and mounting bracket
 - Bipin Socket height adjustable on brass rod and bracket
 - LED MR16 lamp - 12 volt - standard
 - Lamp typically sits on MR16 adapter plate, position lamp higher to reduce glare
 - Single diode LED lamps produce best shadow patterns

- 1/4 x 1/2" Philips Screw with Flange Nut, 2 each
 - Philips screw driver fits
 - Secures mounting strap with socket in top of 6x6 Fixture

- 2" pipe encloses MR16 lamp for shielding

- MR16 Lamp shown, see website About page LEDs for options

- Corner pipe routes wires to base for connection to power supply

- MR16 adapter plate rests on top enclosure plate
 - Encloses MR16 lamp

- Top enclosure plate welded into top of 6x6 tube
 - Plate standard opening for LED Flood Fixture