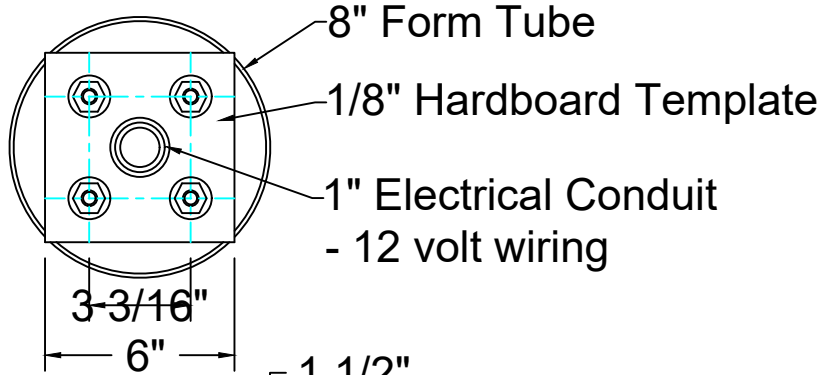


Looking down

- 1.5" center hole for conduit



Soil 1" below top
of concrete pier

Hardboard template
on concrete surface
- Remove prior
to installing
base plate

6x6
Bollard
Concrete
Pier

Pier Depth Varies
with local conditions
24" Average

Attraction Lights, LLC - 6x6 Bollard Concrete 8" Pier Template Install - 12 Volt Standard

www.AttractionLights.com

- View pdf details About page - Installation

- ? Call Lyle - 970-316-0019

Lyle@attractionlights.com

Expanded View

