

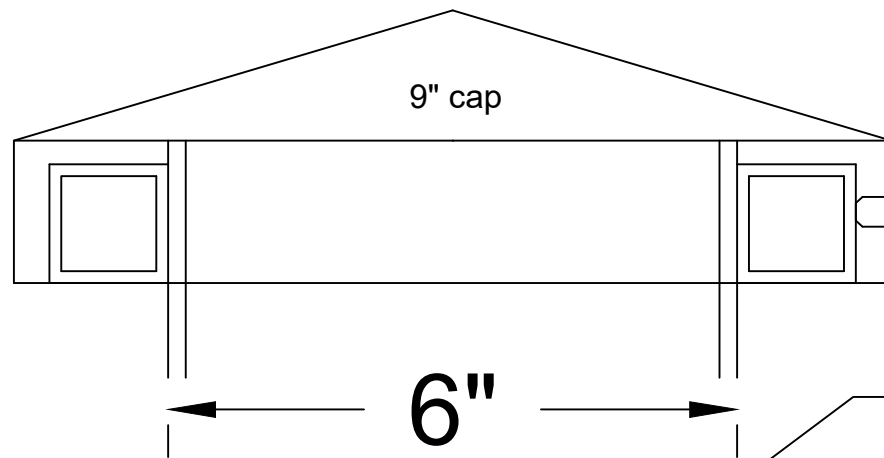
# 6x6x80" with MR16 Adapter Plate - 12 Volt

Attraction Lights - [www.AttractionLights.com](http://www.AttractionLights.com)

[info@attractionlights.com](mailto:info@attractionlights.com)

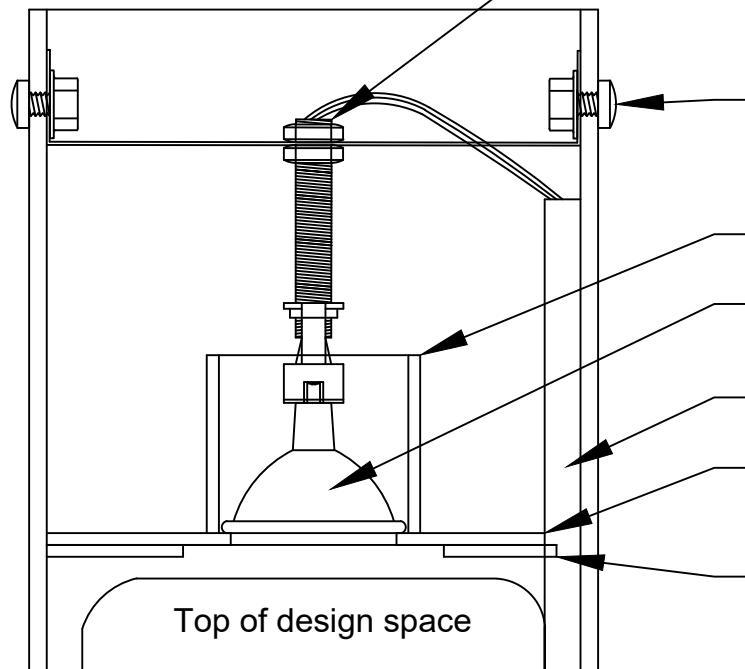
Questions? Call: 970-316-0019

\*See 6x6x80 Install sheet for full view



- 5/16 x 1/2" Set Screw - 1 per cap
- 5/32" Hex Key fits
- Secures cap on blocking for 6x6 fixture

- Socket Assembly with lamp rod and mounting strap
  - Bipin Socket height adjustable on brass rod and stainless strap
  - LED MR16 lamp - 12 volt - standard
  - Lamp typically sits on MR16 adapter plate, position lamp higher to reduce glare
  - Single diode LED lamps produce best shadow patterns



- 1/4 x 1/2" Philips Screw with Flange Nut
  - Philips screw driver fits
  - Secures mounting strap with socket in top of 6x6 Fixture
- 2" pipe encloses MR16 lamp for shielding
- MR16 Lamp shown - 12 volt standard
  - See website About page LEDs for options
- Corner pipe routes wires to base for connection to power supply
- MR16 adapter plate rests on top of top enclosure plate
  - Encloses MR16 lamp
- Top enclosure plate welded into top of 6x6 tube
  - Plate opening for LED Flood Fixture