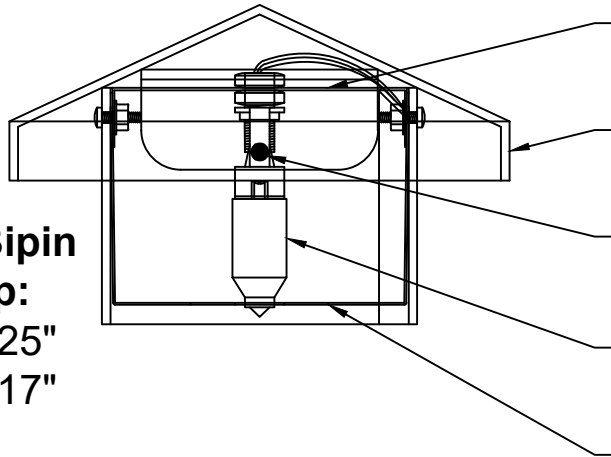


G4 Bipin Lamp:
4x4x25"
4x4x17"



Stainless steel socket bracket supports socket assembly with LED bipin lamp
 - Socket lead wires route thru lamp rod, into wire way, and out 4x4 base
 - Bracket slot ends rest on 2 screws with flange nuts supporting the top enclosure plate

6" Cap with bracket welded on underside to secure and center cap on 4x4
 - Note the hole in cap rim on one side - align with set screw 4x4 side for easy access
 - Set screw pushes against cap bracket to secure - see #7B below

Set screw (1 - 1/4x20x3/8") secures cap on 4x4 by pushing against cap bracket
 - Access set screw thru cap rim hole (one side)
 - Hex key (1/8") supplied

G4 bipin LED lamp mounting: Adjust tip of LED lamp to be just above 4x4 design space
 - LED Lamp nose typically rests in 5/8" hole in top enclosure plate
 - Raise lamp/socket to minimize glare

Stainless steel top enclosure plate protects lamp in 4x4 top
 - Plate hangs from 2 screws with flange nuts (#10 x 24 x 1/2")
 - Remove knockout ring for MR16 lamps. The 5/8" hole is for G4 bipin lamps

**Top Details
4x4 Series**

4x4 Series Installation Guide - Top details

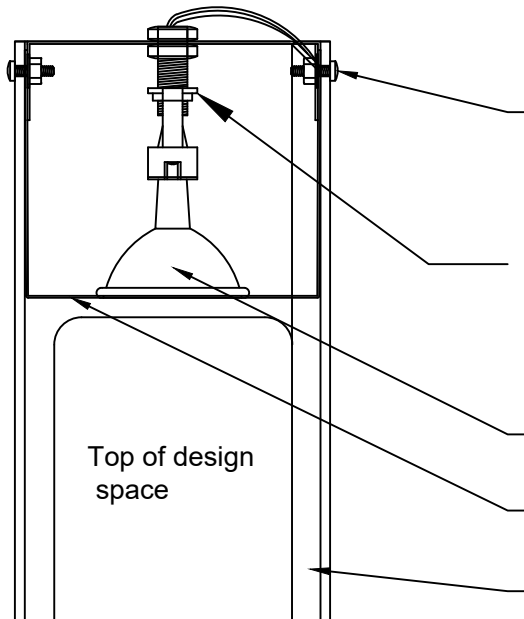
- Download/View pdf on website's Resources page - Installation Guides
 - 4x4 Series

Attraction Lights, LLC - 970-316-0019

AttractionLights.com - info@AttractionLights.com

- Install our recommended LED Lamps for best shadow pattern and area lighting
 - See Resources page - LED Lamps for current options

MR16 Lamp:
4x4x37"
4x4x25"
4x4x17"



Phillips screws (2 - #10x24x12") pass thru 4x4 holes and thread into #10 flange nuts (2)
 - Top enclosure plate hangs on these 2 screws, and they support socket assembly
 - Thread screws onto flange nuts and leave loose for socket bracket to slide between
 - Tighten screws to secure socket bracket holding socket

Socket assembly adjustable for best area lighting and to avoid glare

Adjustment options:

- Rotate threaded lamp rod threaded into ceramic socket support bracket
- Move nuts on lamp rod and re-secure on socket bracket spanning top of 4x4
- Fine tune position by bending socket bracket

MR16 LED Lamp mounting: The lamp typically rests in top enclosure plate 1.80" hole
 - Raise lamp/socket to minimize glare, but area lighting will decrease

Top enclosure plate (stainless steel) with knockout ring for MR16 lamp
 - See details above

Formed wire way (old style - wire pipe) routes lead wires to base for connection to power