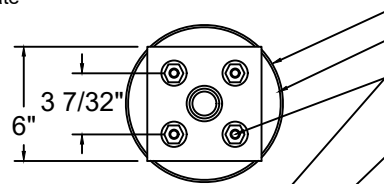
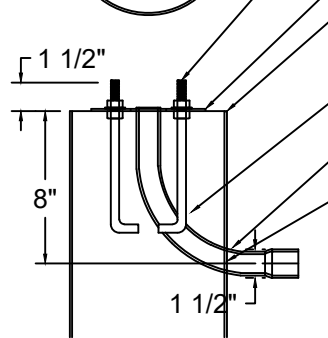


6x6x42" & 6x6x34" - 12 Volt

Pier Top View:
8" concrete pier
with template



Inside Pier View:
8" concrete pier
with template



6x6x42" & 6x6x34" - Template set up on 8" pier

- Be careful to verify the intended final orientation of the 6x6 bollard prior to setting pier anchor bolts.

- 8" Concrete form tube
- Template: 1/8" hardboard
- Anchor bolts (dip galv. 1/2" x 8") & hardware in pier
- Note: Approx. 1-1/2" bolt thread above concrete is needed to properly level base plate
- Template: 1/8" hardboard
- Form tube length of 12" for finished pier top
- Pier depth varies with local conditions
- Average depth of 24-30"
- Watch for conflict between L conduit and anchor bolts and plan accordingly
- "L" electrical conduit (1") for power supply wires
- Cut 1.5" hole in form tube for "L" to exit - use hole saw
- Offset of 8" from top of form tube

Install Guide: 6x6x42" & 6x6x34" - 12 Volt - Concrete Pier Details

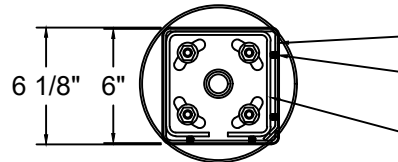
Attraction Lights, LLC - 970-316-0019 - call with questions
AttractionLights.com - info@AttractionLights.com
- Download and View pdf on website's Resources page - Installation Guides - 6x6 Series - 12 Volt
- 6x6 Bollard part names underlined

6x6x42" & 6x6x34" - Set base plate

- Check level between 4 bolts with nuts and washers prior to setting base plate. Then confirm level of base plate after secured, and finally check the 6x6 bollard for plumb.

6x6x42" & 6x6x34" - 12 Volt

Top View:
8" concrete pier with base plate
(6-1/8" wide) installed



- Base plate leveled on and secured to anchor bolts
- 6x6 Bollard secured to base plate "box" with 4 set screws
- 5/16" x 3/8" set screws - use 5/32" hex key provided
- "Box" welded on base plate secures 6x6 bollards on pier

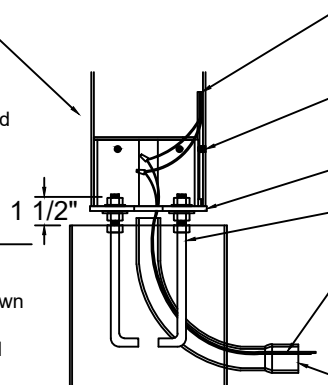
Overall View:

All components shown

* Keep soil level below steel bollard OR the Lifetime Guarantee will be void

Soil level

* Standard 8" concrete pier shown
- Hardware and template supplied



- Lead wires from top socket exit corner wireway
- Make wire connections to power supply in base plate
- Add in lead wires from up lighting socket assembly
- Set screws (2 pairs = 4 - 5/16" x 3/8") - use hex key (5/32")
- Secure 6x6 bollard to base plate
- Base plate secures and levels 6x6 bollard on pier
- Anchor bolts (dip galv. 1/2" x 8") & hardware in pier
- Note: Approx. 1-1/2" bolt thread above concrete is needed to properly level base plate
- 12 volt power supply wires
- Option: Line voltage wires connected to small weather-proof transformer in 6x6 base supplying 12 volt power.
- "L" electrical 1" conduit for power supplies wires