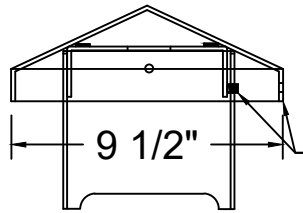


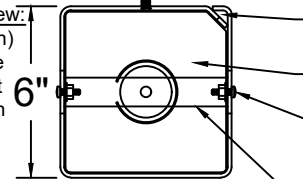
6x6x80"
12 Volt
Detailed
Top View:
Cap set up



6x6 Install Guide: 12 Volt - 6x6x80" Top & Sockets Details
Attraction Lights, LLC - 970-316-0019 - call with any questions
AttractionLights.com - info@AttractionLights.com
- Download and View this pdf on website's Resources page -
Installation Guides - 6x6 Series - 12 Volt
- 6x6 Bollard part names underlined

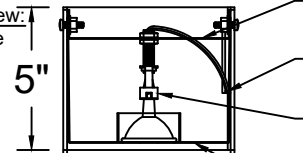
Cap (9") set screw in 6x6 pushes on bracket on cap underside
- Set screw (1 - 5/16" x 1/2") - use 5/32" hex key supplied
- Access set screw thru hole in cap rim, and check cap is centered
- Maintenance: lubricate set screw threads at cap removal

Top Inside View:
(Looking down)
Top enclosure
plate & socket
bracket shown



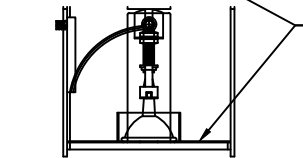
Wireway formed into 6x6 corner (new for 2021)
- Route socket lead wires to base for connection to power supply
Top enclosure plate (stainless steel) with MR16 lamp enclosure
- Philips screws with *flange* nuts support (2 each - 1/4" screw + nut)
- Hardware passes thru holes (2) near top of 6x6 on opposite sides
- Plate hangs from "legs" just above design space
- Hardware also secures socket assembly bracket

Top Inside View:
Top enclosure
plate, socket
assembly,
MR16 lamp
added



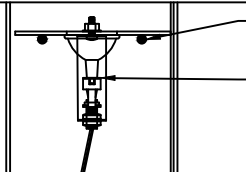
Socket assembly bracket (stainless steel)
- Philips screws with flange nuts secure (see top enclosure plate)
Socket lead wires enter wire way in 6x6 corner

View rotated
90 degrees



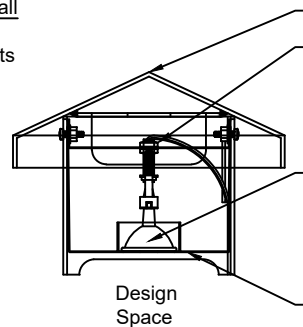
Socket assembly with 10 foot lead wires mounted in 6x6 top
- Socket with 3 foot lead wires used in 6x6 base
- See socket assembly below for adjustment options
Top enclosure plate (stainless steel) with MR16 lamp enclosure
- See details above

6x6x80" Up lighting
plate: Rest on 4 set
screws just below
design space
- Place inside 6x6
before setting on
base plate



Set screws - 2 pairs = 4 - 5/16" x 1/2" on opposite sides 6x6
support up lighting plate - slide angled plate past - then drop back
Up lighting socket assembly - 2nd lamp option in 6x6 base
- **Install plate with socket and lamp before setting 6x6 Bollard**
- Secure socket bracket to plate after adding lamp.
- Use Philips screws with *flange* nuts (2 each - 1/4" screw + nut)

6x6x80" Overall
Top View:
All components
shown



Cap (9") with mounting bracket welded to underside
Socket assembly adjustable for ideal lamp height
Socket (with LED lamp) height adjustment options:
- Rotate threaded lamp rod holding socket or change rod length
- Move nuts on lamp rod and re-secure to bracket
- Bend socket mounting bracket slightly
MR16 lamp - LED 12 volt standard
- Set lamp on top enclosure plate for maximum area lighting, or
raise lamp/socket to eliminate glare
- Use our recommended MR16 lamps for best shadow pattern
lighting (single diode) and area lighting (wide beam angle)
Top enclosure plate protects LED lamp and provides fixed
mounting position